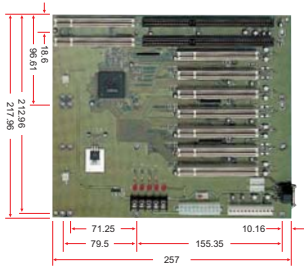
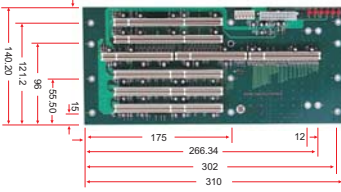


PICMG Backplane

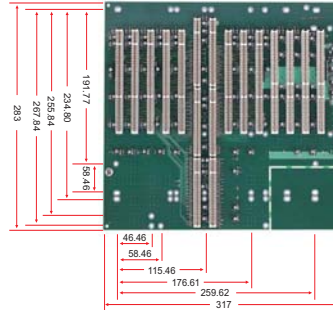


PBP-08A7
8-slot (7xPCI) Active PICMG Backplane

PICMG 1.2 BACKPLANE



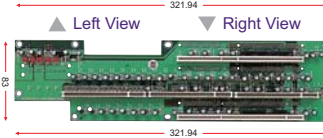
PBP-06P564
6-slot (2xPCI-X, 3xPCI)
64-bit PICMG 1.2 Backplane
- Fit for 6-slot node chassis
- ATX & aux power connectors support



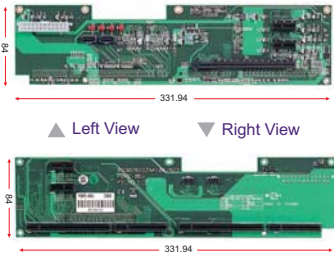
PBP-14PD64
14-slot (8xPCI-X, 4xPCI)
64-bit PICMG 1.2 Backplane
- Support 4 independent buses with ROBO-8820VG2H & PA-B1
- Three PCI-X buses; one PCI bus
- ATX & AUX power connectors support



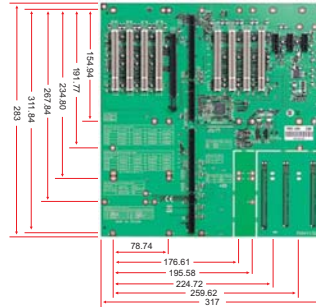
PBP-06V564
Vertical 6-slot (2xPCI-X, 3xPCI)
64-bit PICMG 1.2 Backplane
- Fit for 2U chassis
- ATX power connector support



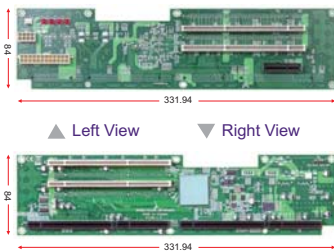
PICMG 1.3 BACKPLANE



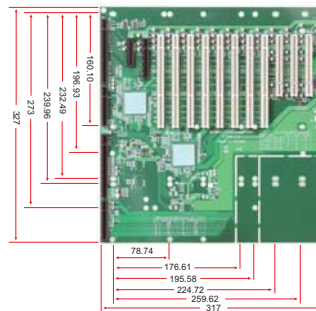
PBPE-06V
Vertical 5-slot [PCI-e x1 (4), PCI-E x16 (1)]
PICMG 1.3 Backplane
- Fit for 2U chassis
- Four USB ports
- Dual SATA ports
- 24-pin ESP12V power connector



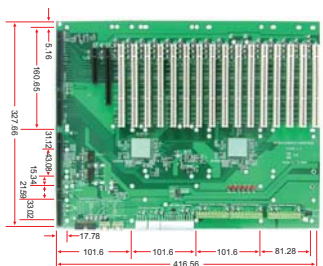
PBPE-13A8
13-slot [PCI (8), PCI-E x16 (1), PCI-E x1 (3)]
PICMG 1.3 Backplane
- Fit for 4U chassis
- Four USB ports
- Dual SATA ports
- 24-pin ESP12V power connector



PBPE-06V464
Vertical 5-slot [PCI-E x4 (1), PCI-X (4)]
PICMG 1.3 Backplane
- Fit for 2U chassis
- Dedicated to ROBO-8920VG2
- Dual PCI-X buses support four PCI-X slots



PBPE-14AD64
14-slot [PCI x4 (1), PCI-E x8 (1), PCI-X (8), PCI (3)]
PICMG 1.3 Backplane
- Fit for 4U chassis
- Dedicated to ROBO-8920VG2
- Four PCI-X buses support eight PCI-X expansion slots



PBPE-19AG64
19-slot [PCI x4 (1), PCI-E x8 (1), PCI-X (16)]
PICMG 1.3 Backplane
- Fit for 4U up chassis
- Dedicated to ROBO-8920VG2
- Four PCI-X buses support 16 PCI-X expansion slots